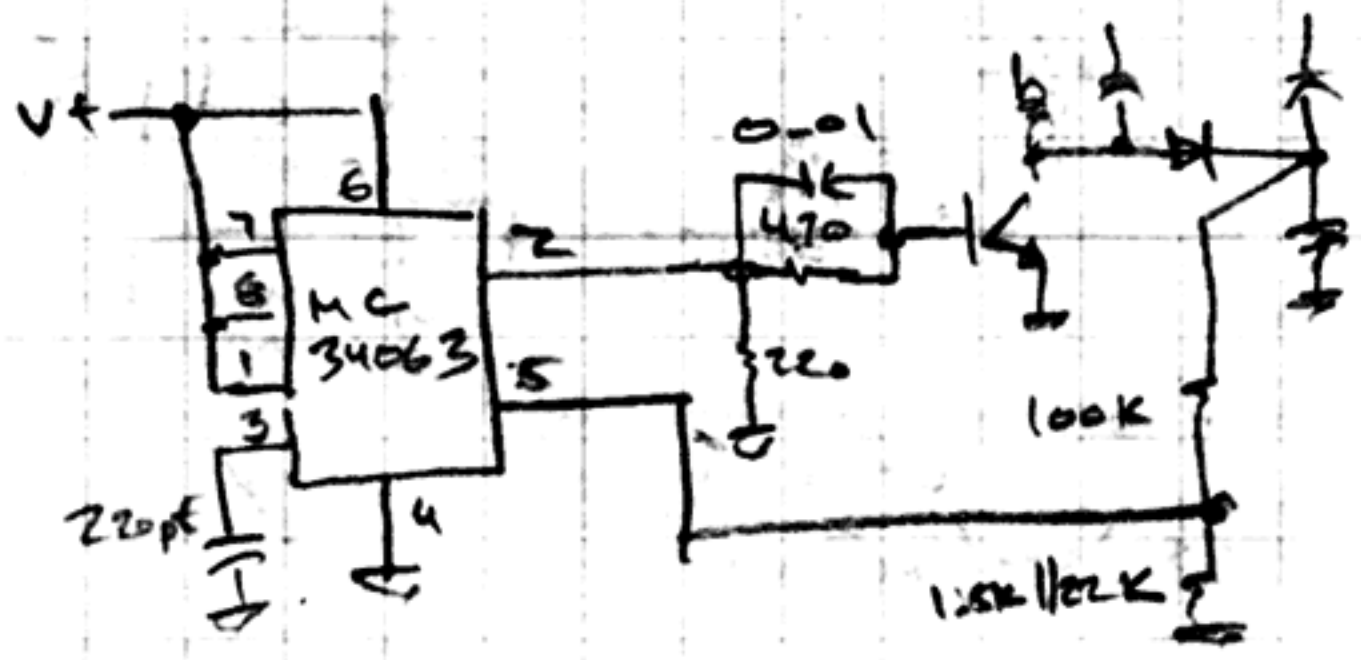
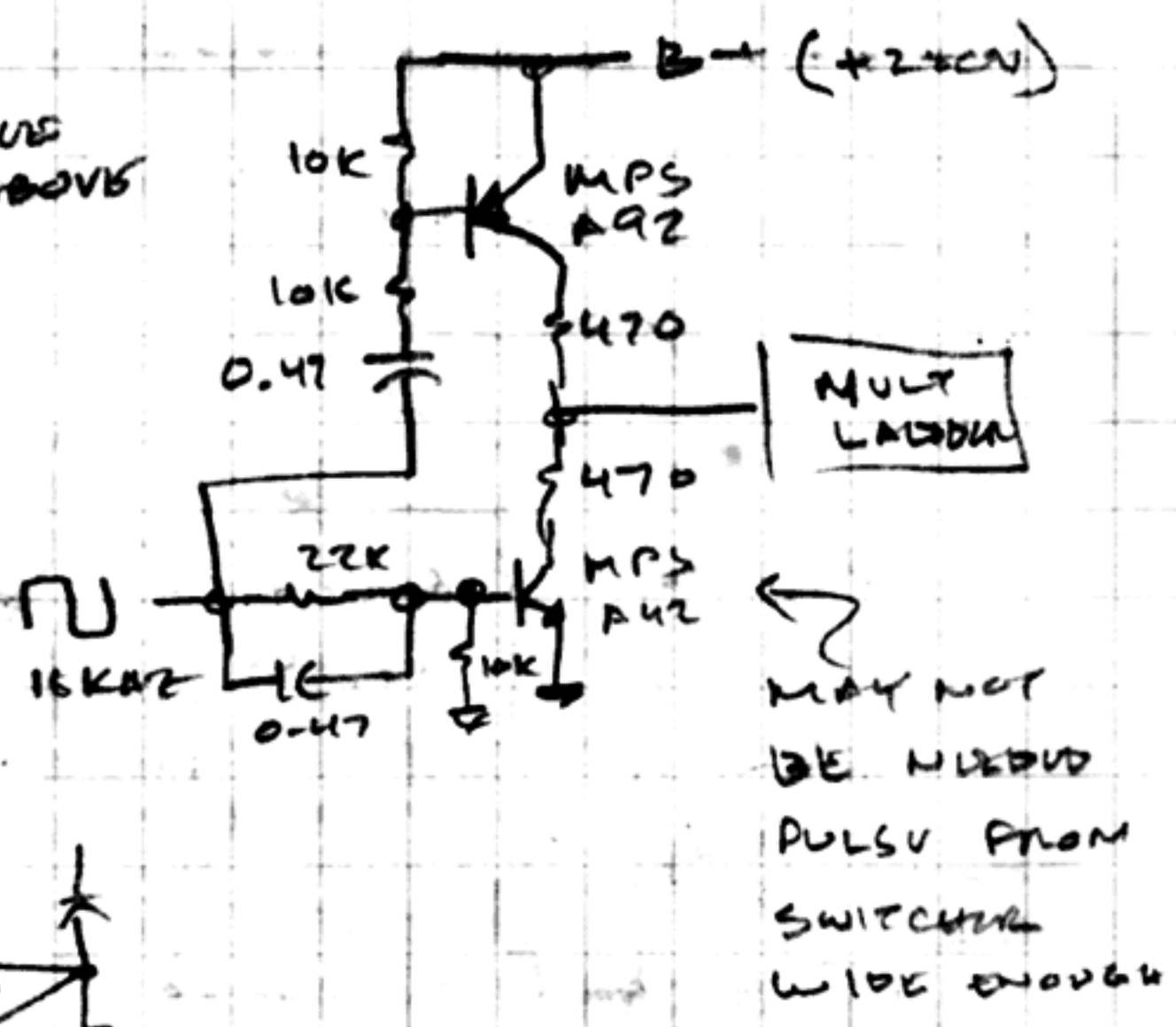
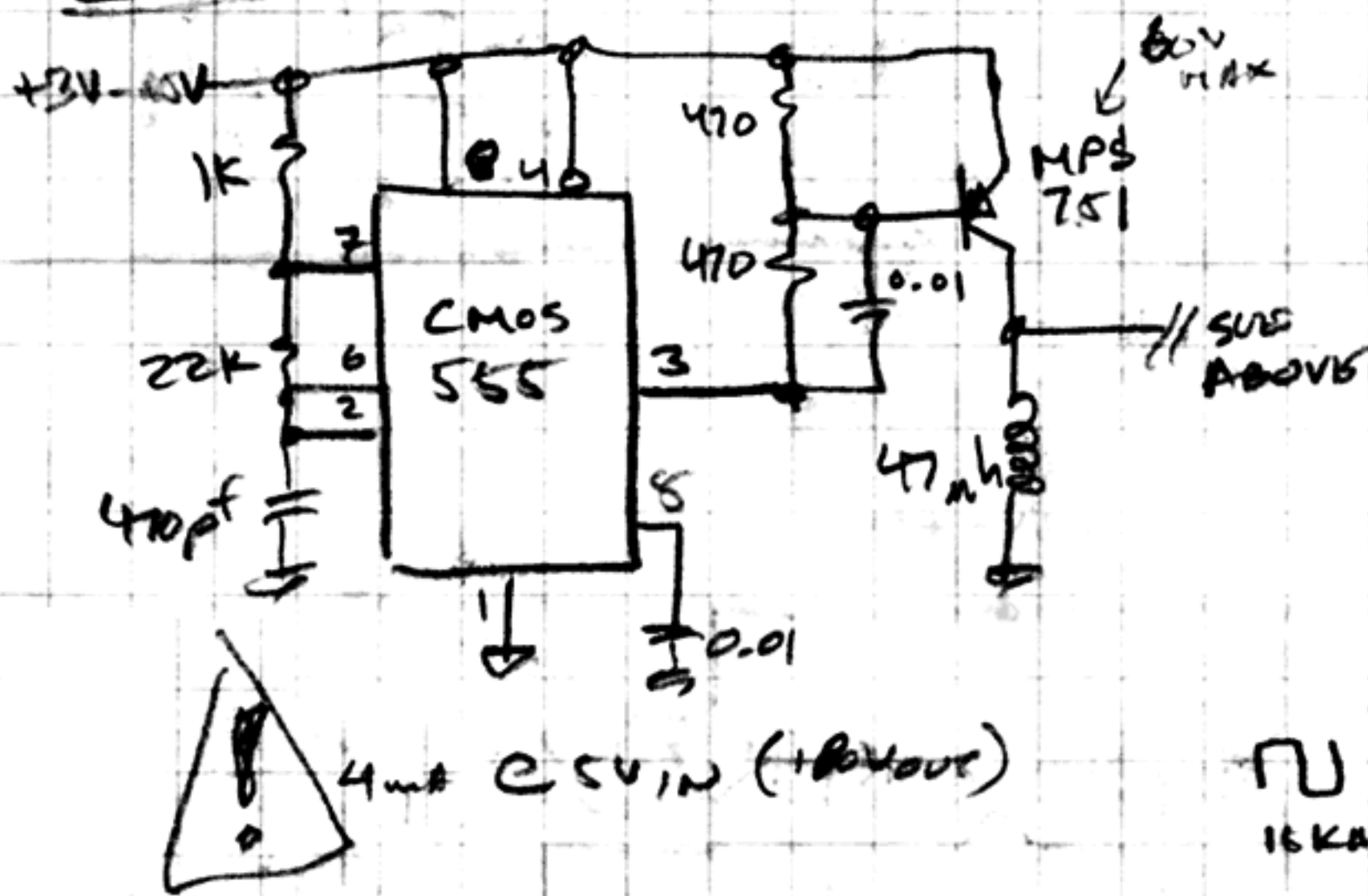


$$\Delta V = \frac{I}{fC} KR$$

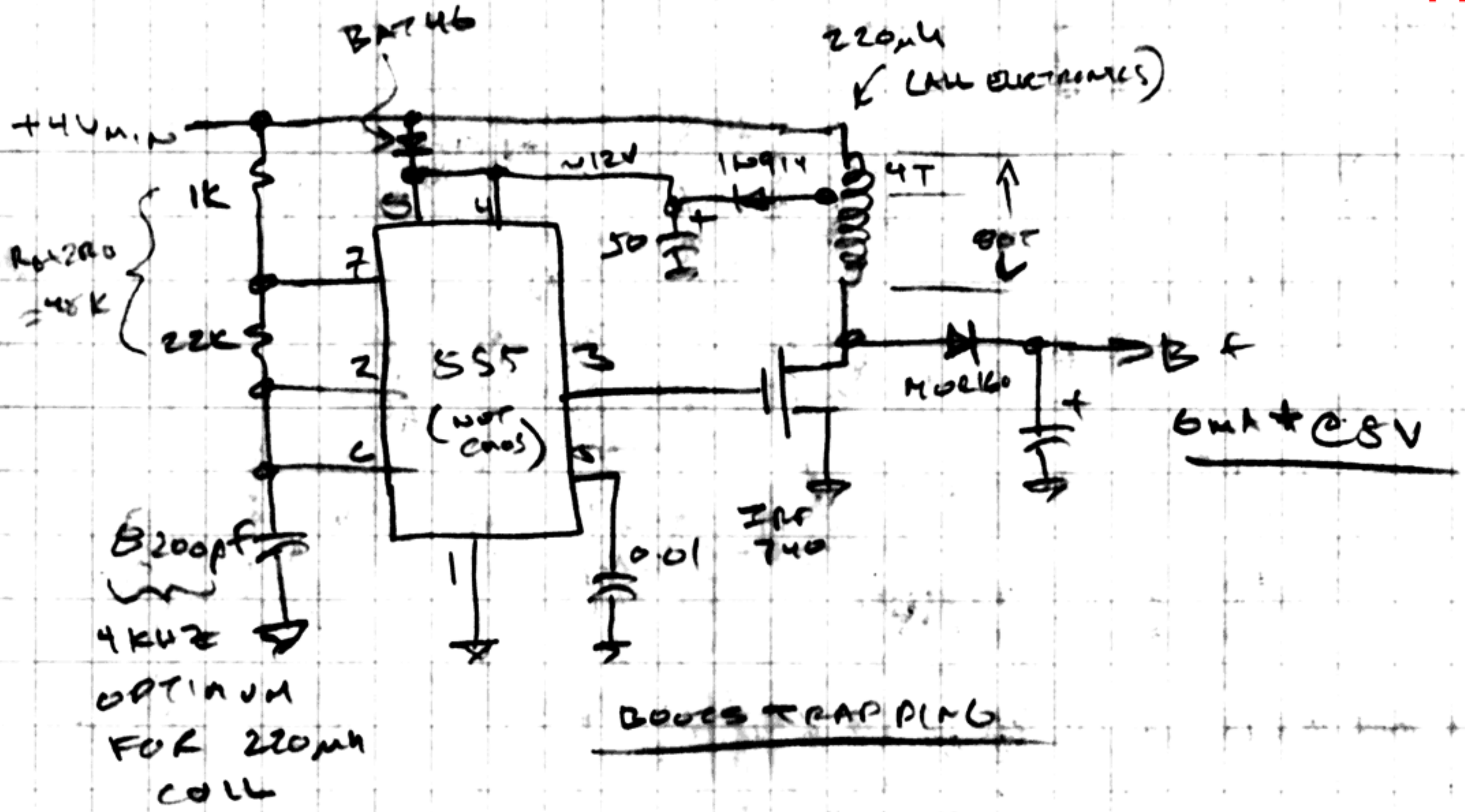
N =	2	3	4	5	6	8
K _R =	7	22	50	95	161	372



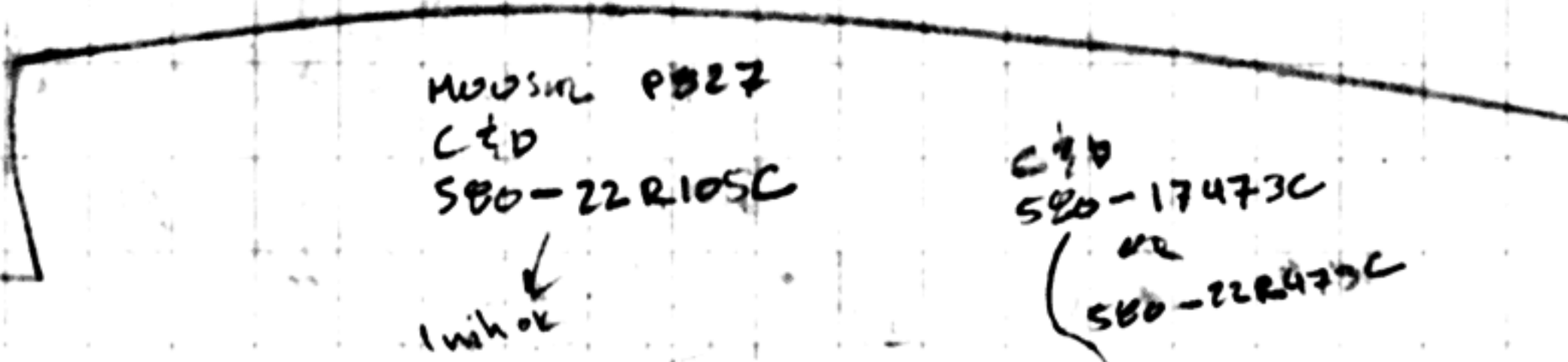
NOT AS GOOD AS OTHER VERSIONS

5V Nixie Supplies

5V Nixie Supplies

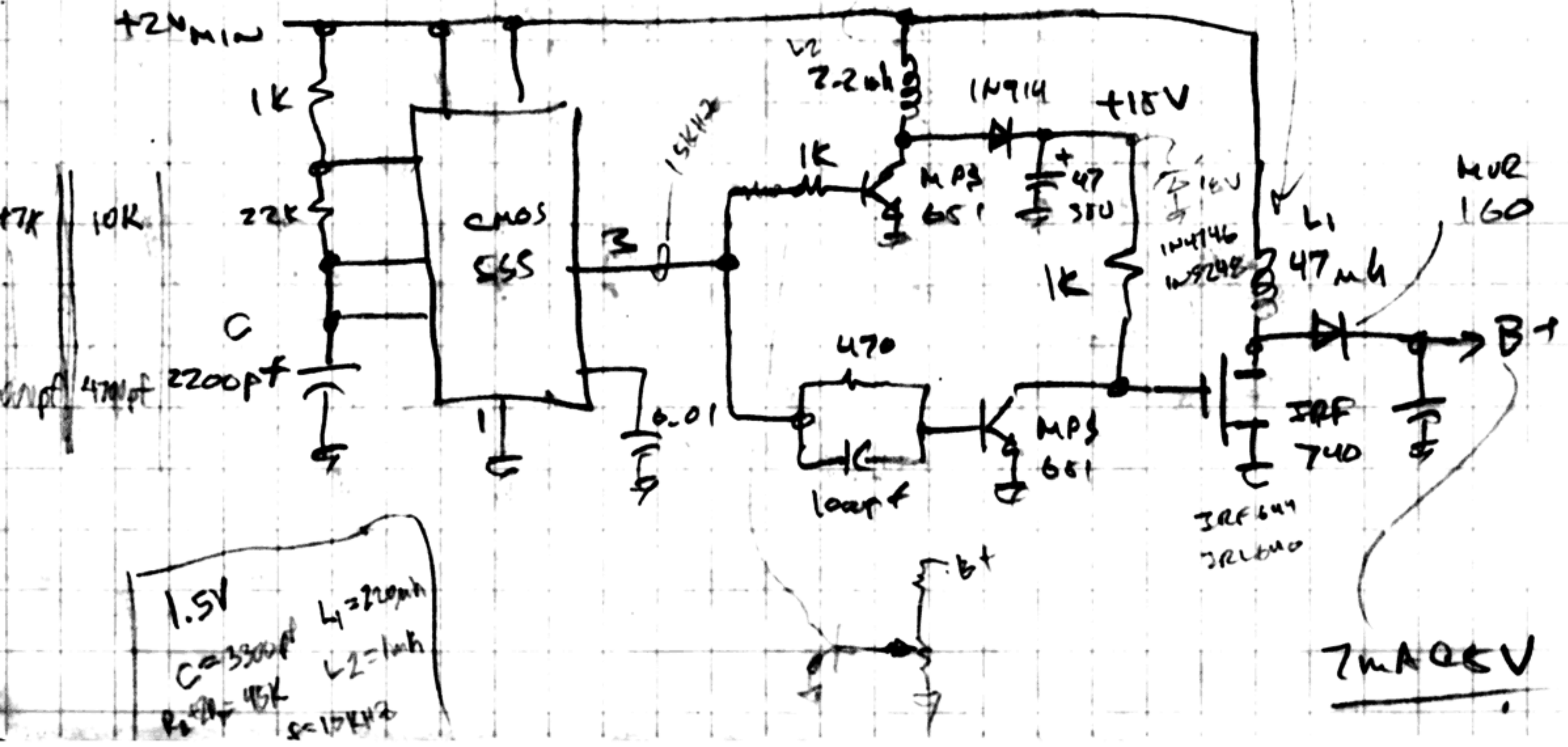


$\Rightarrow 100uH$ $9KHz$
 $47uH$ $20KHz$



MOSFET PB27
 LTD
 SBO-22R105C
 $1uH @ 2$

$C47$
 SBO-17473C
 or
 SBO-22R473C

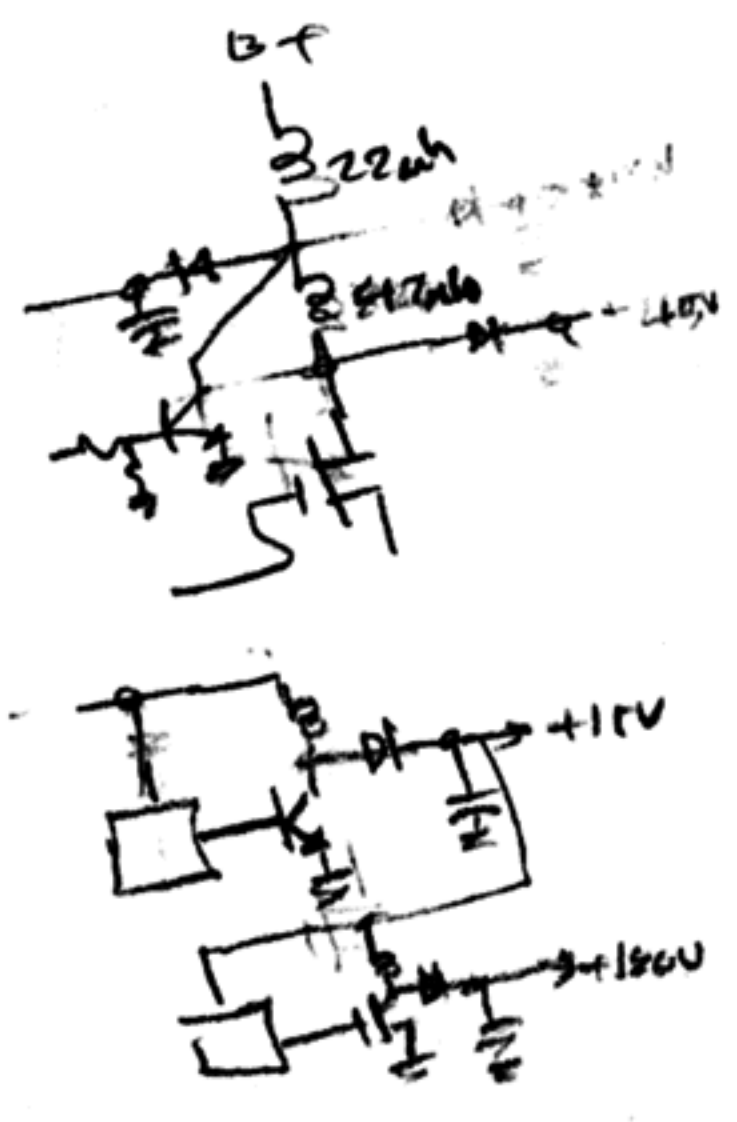
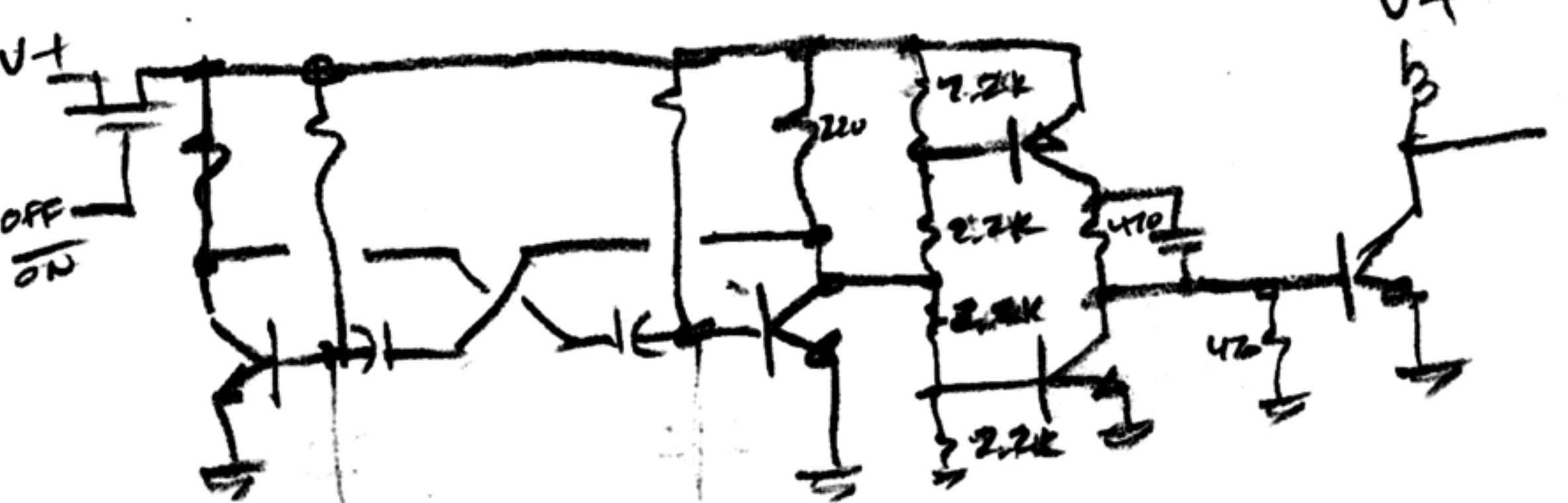
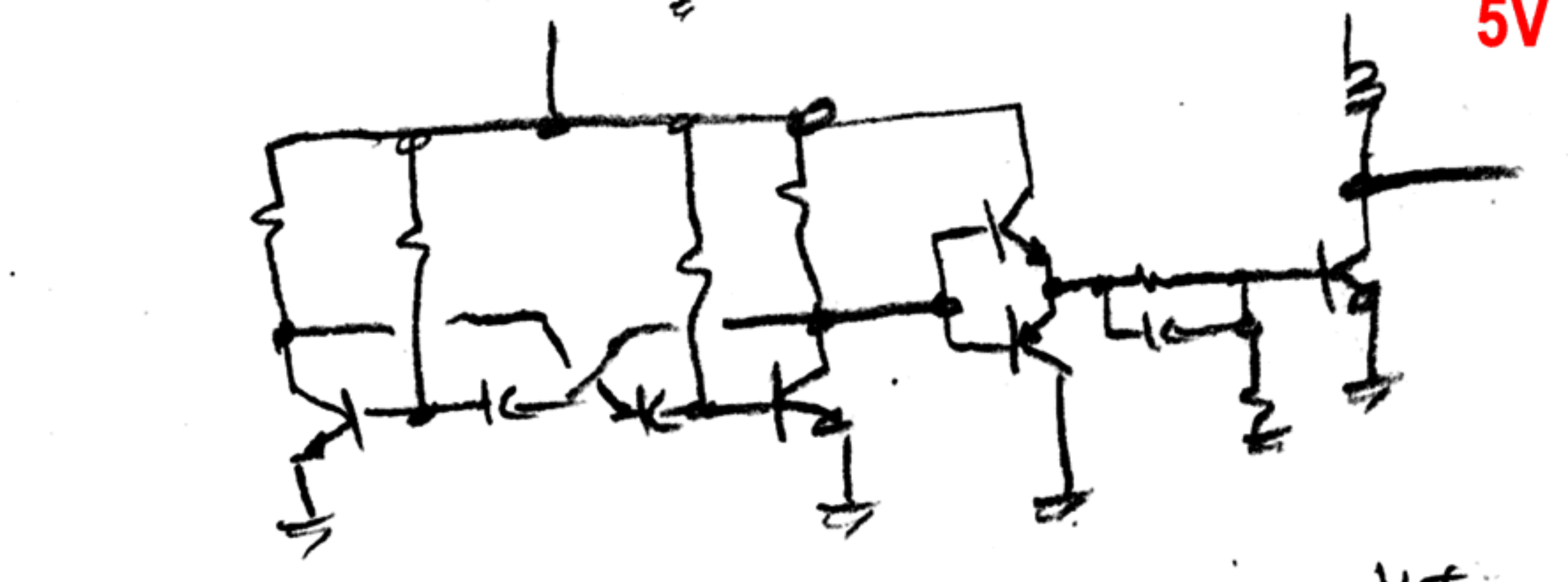
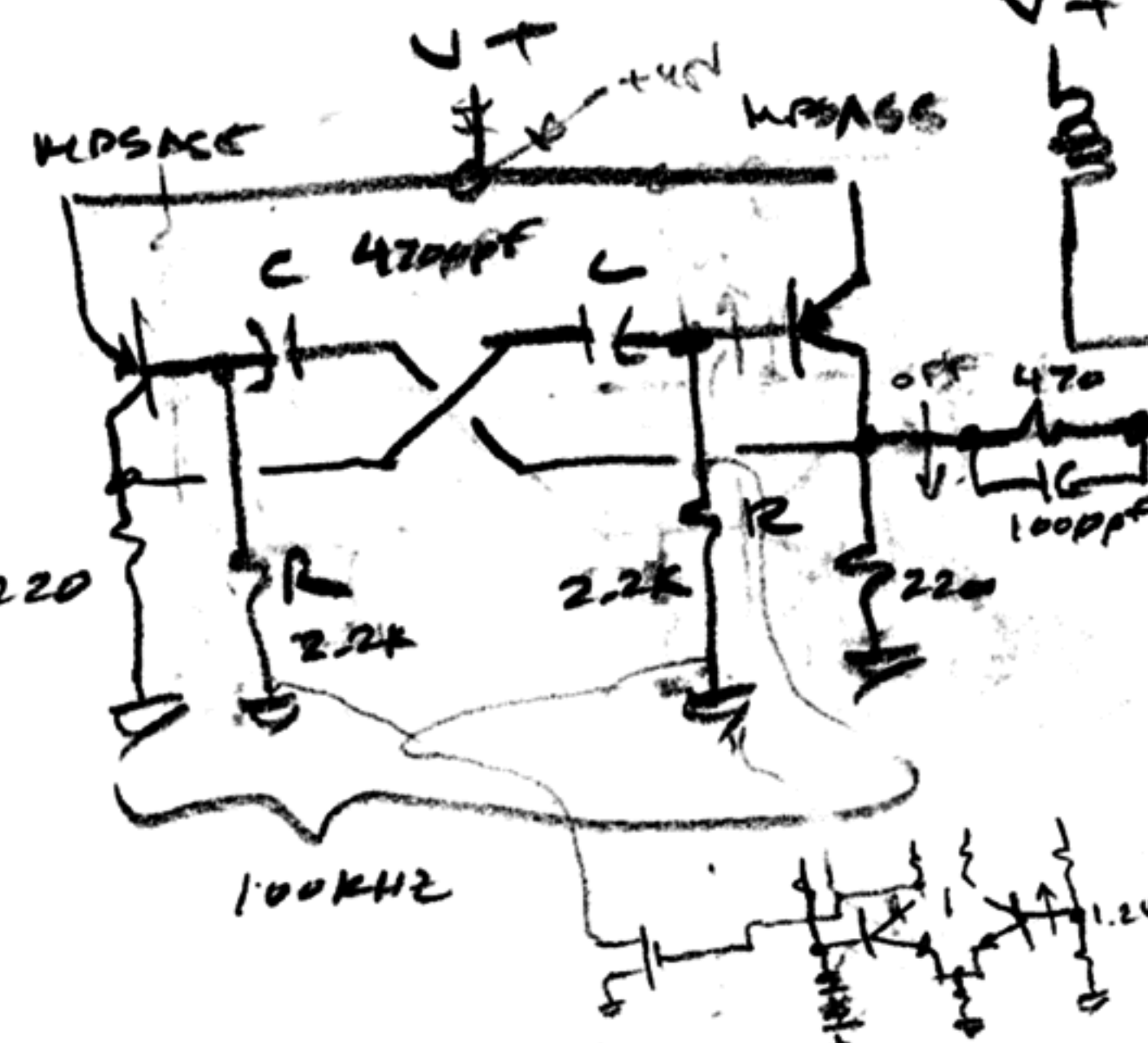
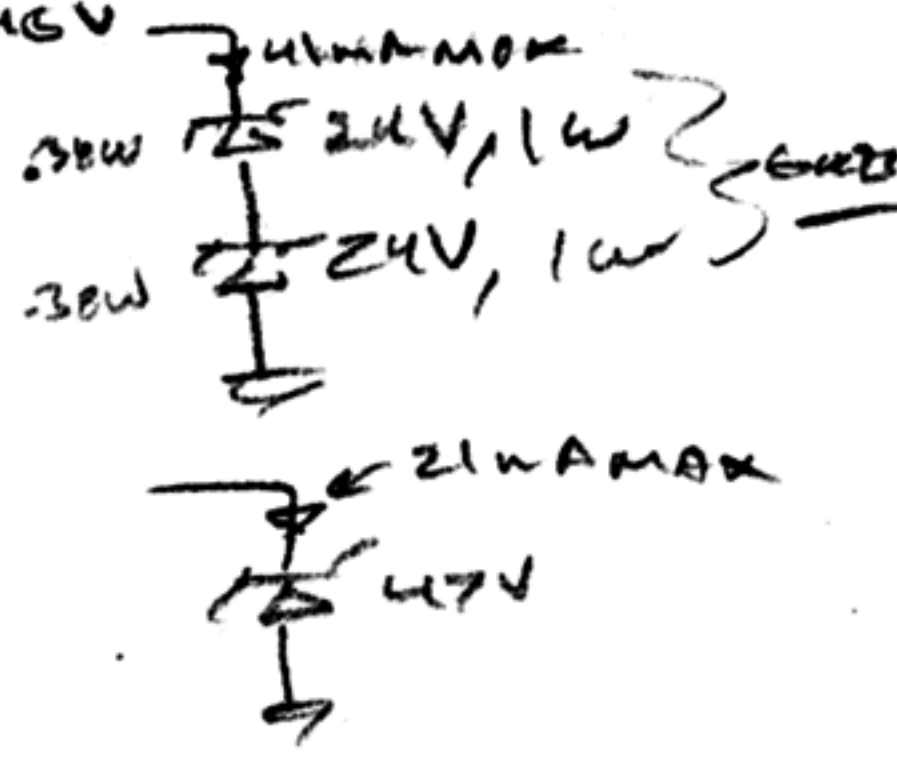
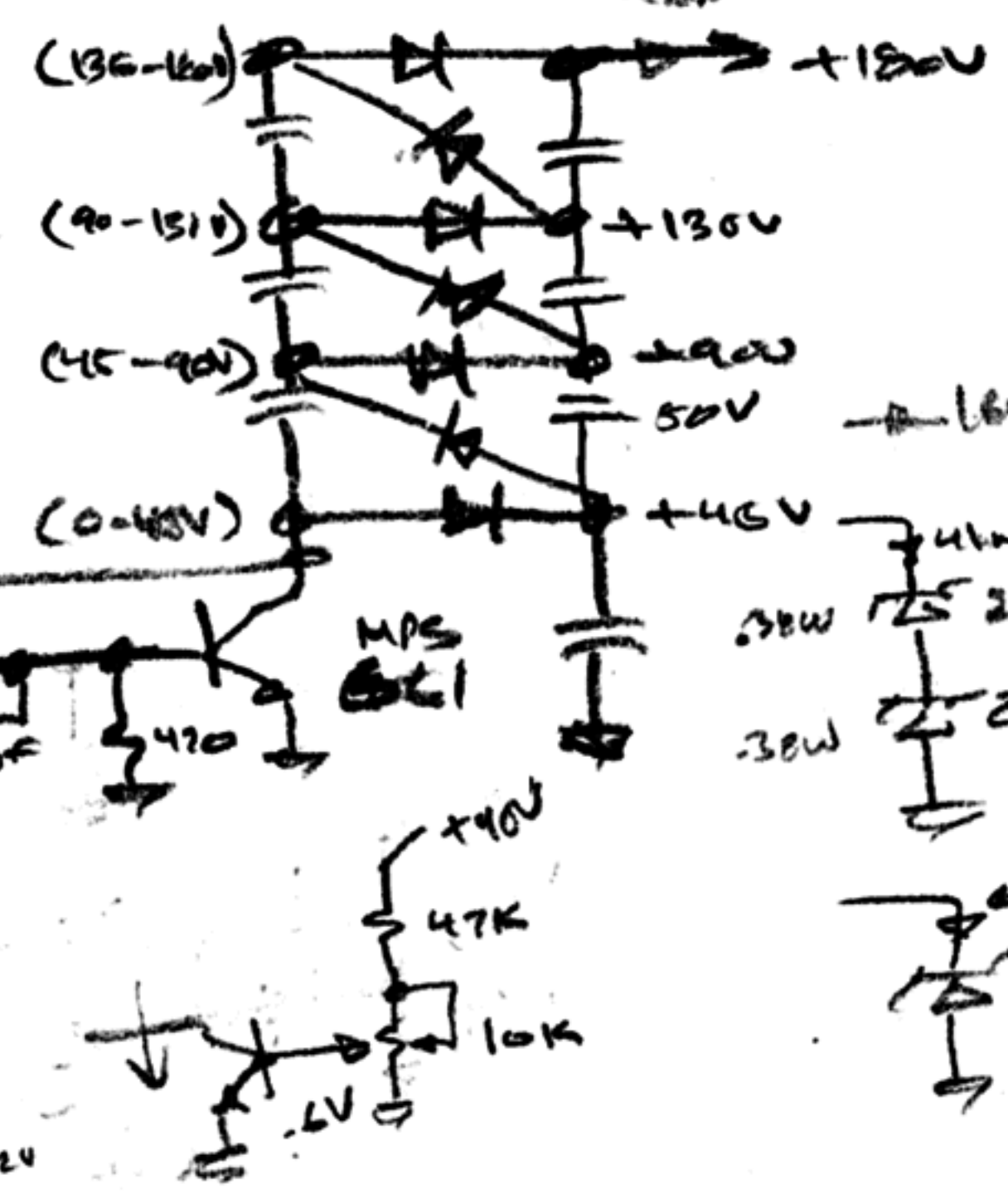
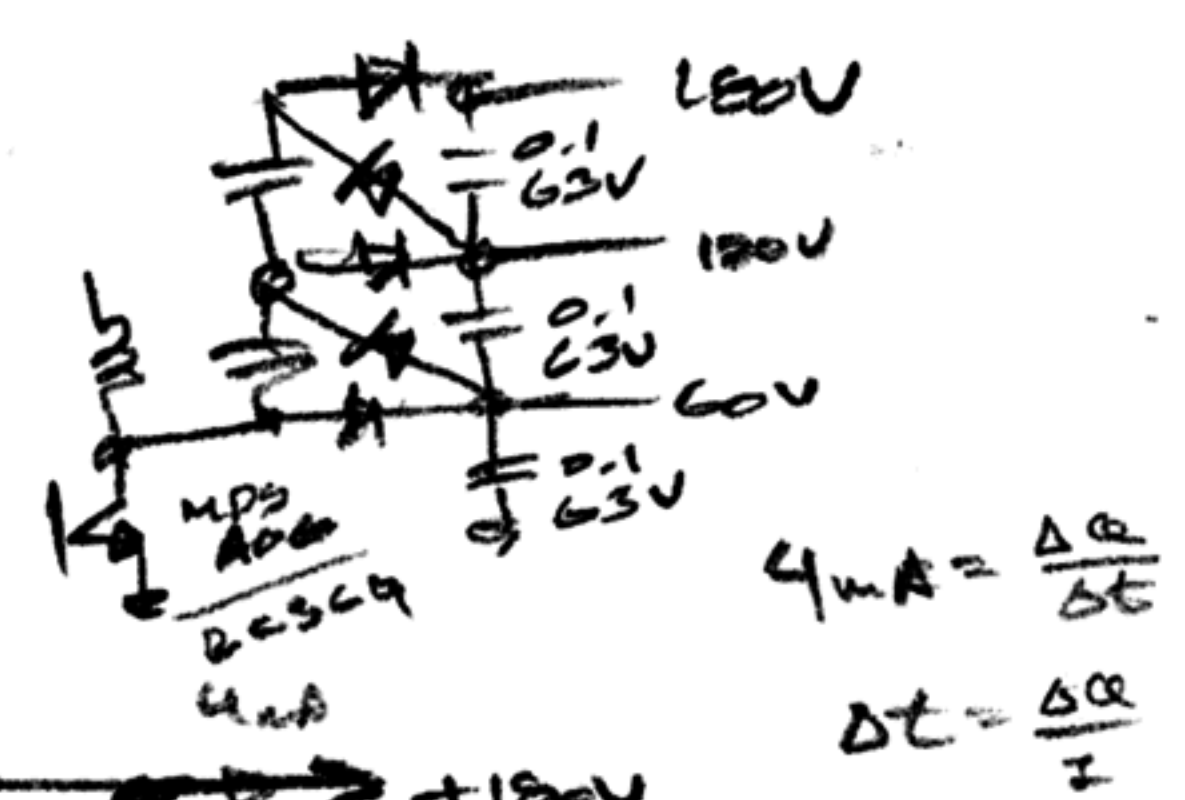


$1.5V$
 $C=3300pF$
 $R=45K$
 $f=15KHz$
 $L_1=220uH$
 $L_2=1uH$

$7mA @ 5V$

$\Delta t = 4 \mu s$
 $300 \mu s$
 $Q = 17 \mu C$
 $L_1 = K u_1^2$
 $L_2 = K u_2^2$
 $L = \frac{L_1}{u_1^2} = \frac{L_2}{u_2^2}$
 $\frac{L_1}{L_2} = \frac{u_1^2}{u_2^2}$
 $\sqrt{\frac{L_1}{L_2}} = \frac{u_1}{u_2}$

$300V, 330 \mu F$
 $W = \frac{1}{2} C U^2 = 14.9 J$
 $100V, 330 \mu F, 5.3 J$
 $Q = C U = 60 \mu C$



5V Nixie Supplies